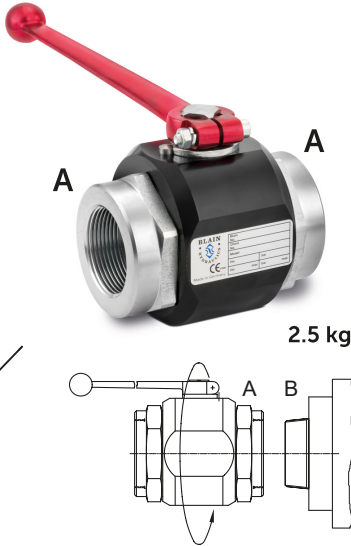


Type AA - Female Threads
Typ AA - Innengewinde
Type AA - Filet femelle
Tipo AA - Rosca hembra

Techn. Data

Typ	Q max.	P max.
BV3 (1½")	800 l/min 211 US gpm	100 bar 1450 psi
BV5 (2½")	1600 l/min 423 US gpm	70 bar 1015 psi

Type ED - Swivel Nut
Typ ED - Überwurfmutter
Type ED - Ecrou raccord
Tipo ED - Tuerca loca

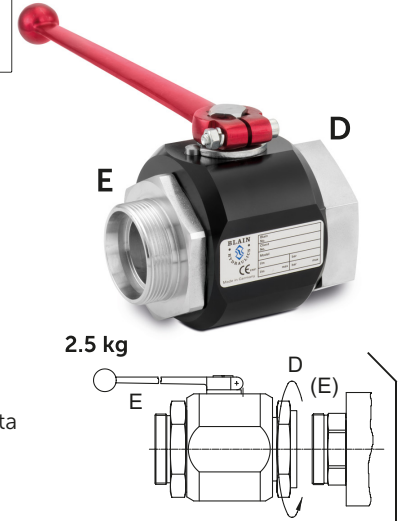


Standard
A - A

Pipe Thread
Seal Tape Required
Rohrgewinde
Dichtband notwendig
Filetage au pas du gaz Bande d'étanchéité nécessaire
Rosca para tubos
Se necesita cinta de junta

Option
E - D

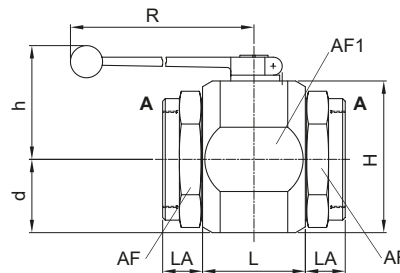
Faster Connections
Perfect Sealing
Schnelle Montage
Perfekte Dichtung
Montage rapide
Joint parfait
Montaje rápido
Estanqueidad perfecta



A

Typ	A	AF*	(BSP)		(NPT)	
			Typ No.	LA	Typ No.	LA
B3	1"	70	B3G1	19	B3N1	28
	1¼"	70	B3G1.25	21	B3N1.25	28
	1½"	70	B3G1.5	24	B3N1.5	34
	2"	70	B3G2	30	B3N2	34
B5	2"	95	B5G2	31	B5N2	31
	2½"	95	B5G2.5	31	B5N2.5	35

Standard



Dimensions

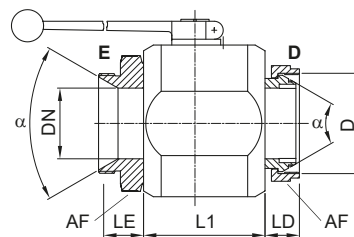
Typ	DN	L	H	AF1	d	h	R
B3	38	65	90	86	43	70	240
B5	55	80	118	114	57	82	280

DN = Ø Inside · Ø Innen
Ø Intérieur · Ø Interior

E

Typ	E	α	LE	*AF	Typ No.	
					DIN 2353 (24°)	DIN 3863 (60°)
B3	M36x2	24°	24.5	70	B3E36	
	M45x2	24°	26.5	70	B3E45	
	M52x2	24°	26.5	70	B3E52	
	M65x2	60°	27	70	B3E65	
B5	M78x2	60°	35	95	B5E78	

Option



D

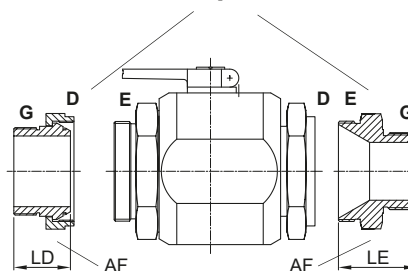
Typ	D	α	L1	LD	*AF	Typ No.	
						DIN 2353 (24°)	DIN 3863 (60°)
B3	M52x2	24°	66	35	60	D52	
	M65x2	60°	66	25	75	D65	
B5	M78x2	60°	94	24	90	D78	

Adaptor GD

Typ	D	B	*AF	LD	Typ No.
B3	M65x2	G1½"	70	47	GD65.G1.5
	M65x2	Ø57 Weld	70	45	WD65.57
B5	M78x2	G2"	90	48	GD78.G2
	M78x2	Ø70 Weld	90	44	WD78.70

*AF - Across Flats
AF - Schlüsselweite
AF - Ouverture de clé
AF - Ancho de llave

Adaptors



Adaptor GE

Size	E	B	*AF	LE	Typ No.
B3	M52x2	G1"	70	55	GE52.G1
	M52x2	G1 ¼"	70	54	GE52.G1.25
	M52x2	G1 ½"	70	52	GE52.G1.5
	M52x2	G2"	70	60	GE52.G2
	M65x2	G1 ½"	70	60	GE65.G1.5
B5	M65x2	G2"	70	52	GE65.G2
	M78x2	G2"	80	59	GE78.G2
	M78x2	G2 ½"	80	59	GE78.G2.5
	M78x2	NPT2 ½"	80	63	GE78.N2.5

Blain Hydraulics GmbH
Pfaffenstrasse 1
74078 Heilbronn
Germany
Tel. +49 7131 28210
Fax +49 7131 282199
www.blain.de
info@blain.de



GmbH

Designer and Manufacturer of the highest quality control valves & safety components for hydraulic elevators



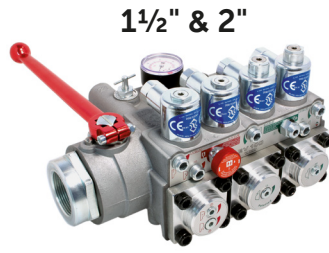
Ball Valves Robinet à boisseau

Kugelhähne Llaves esféricas

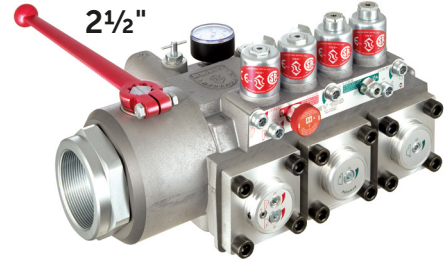
BV



3/4"

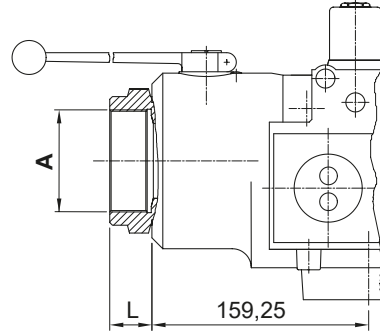
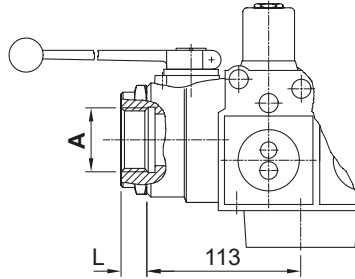
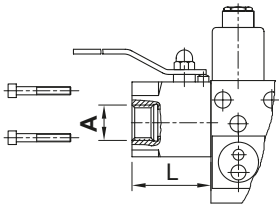


1 1/2" & 2"



2 1/2"

Standard Connection A



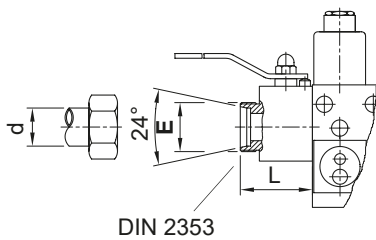
	A	L	Typ No.
* G (BSP) 1/2"		83	BG 0.5
G (BSP) 3/4"		58	BG .75
G (BSP) 1"		58	BG 1
NPT 3/4"		58	BN .75
NPT 1"		58	BN 1

* Reduction

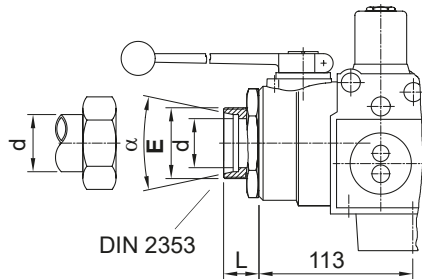
	A	L	Typ No.
G (BSP) 1"	19		BG 1.0
G (BSP) 1 1/4"	21		BG 1.25
G (BSP) 1 1/2"	24		BG 1.5
G (BSP) 2"	30		BG 2
NPT 1"	28		BN 1
NPT 1 1/4"	28		BN 1.25
NPT 1 1/2"	34		BN 1.5
NPT 2"	34		BN 2

	A	L	Typ No.
G (BSP) 2"	31		BG 2.0
G (BSP) 2 1/2"	31		BG 2.5
NPT 2"	31		BN 2.0
NPT 2 1/2"	35		BN 2.5

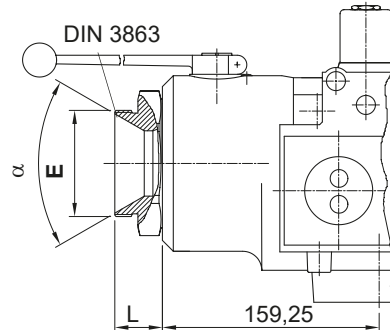
Optional Connection E



DIN 2353



DIN 2353



DIN 3863

	E	L	d	Typ No.
* M 22x1.5	80	15	15	BM 22
M 30x2	54	22	22	BM 30
M 36x2	54	28	28	BM 36

* Reduction

	E	L	α	d	Typ No.
M 36x2	23	24°	28	28	BM 36.0
M 45x2	25	24°	35	35	BM 45
M 52x2	25	24°	42	42	BM 52

DIN 3863

	E	L	α	Typ No.
M 65x2	26	60°	60°	BM 65
M78x2	37	60°	60°	BM 78

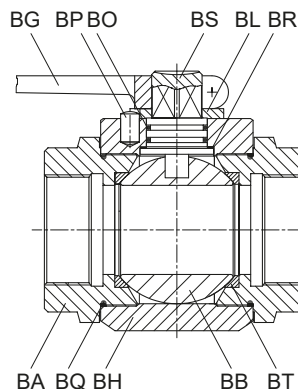
	E	L	α	Typ No.
M78x2	35	60°	60°	BM 78.0

Parts List

- BG** Grip
- BP** Limit Pin
- BO** Shaft O-Ring
- BS** Shaft
- BL** Limit Disc
- BR** Bearing ring
- BA** Connection
- BQ** Connection O-Ring
- BH** Housing
- BB** Ball
- BT** POM Seal

Stückliste

- BG** Griff
- BP** Kerbstift
- BO** O-Ring Schaltwelle
- BS** Schaltwelle
- BL** Arretierscheibe
- BR** Gleitring
- BA** Adapter
- BQ** O-Ring Adapter
- BH** Gehäuse
- BB** Kugel
- BT** POM Dichtung



Liste des pièces

- BG** Levier
- BP** Goupille
- BO** O-Ring axe du levier
- BS** Axe du levier
- BL** Disque d'arrêt
- BR** Anneau de glissement
- BA** Connexion
- BQ** Connexion O-Ring
- BH** Cage
- BB** Boule
- BT** POM joint

Lista de piezas

- BG** Brazo
- BP** Pasador tope
- BO** Junta eje de giro
- BS** Eje de giro
- BL** Retén
- BR** Anillo deslizante
- BA** Conexión salida
- BQ** Junta conexión salida
- BH** Cuerpo
- BB** Bola
- BT** Junta de POM