



EU-TYPE EXAMINATION CERTIFICATE

According to Annex IV, Part A of 2014/33/EU Directive

Certificate No.:	EU-UCM 005-2
Notified Body:	TÜV SÜD Industrie Service GmbH Westendstr. 199 80686 Munich – Germany Identification No. 0036
Certificate Holder:	Blain Hydraulics GmbH Pfaffenstr. 1 74078 Heilbronn - Germany
Manufacturer of the Test Sample: (Manufacturer of Serial Production – see Enclosure)	Blain Hydraulics GmbH Pfaffenstr. 1 74078 Heilbronn - Germany
Product:	Hydraulic valve for a brake element as part of a protection against unintended downward car movement
Type:	L10 ¾"
Directive:	2014/33/EU
Reference Standards:	EN 81-20:2020 EN 81-50:2020
Test Report:	EU-UCM 005/2-007/2 of 2022-10-06
Outcome:	The product conforms to the essential health and safety requirements of the mentioned Directive if the requirements of the annex to this EU-type examination certificate are kept.
Date of Issue:	2022-11-01


 Bernd Gründling
 Notified Body LCC



**Annex to the EU-type examination Certificate
No. EU-UCM 005-2 of 2022-11-01**



Industrie Service

1 Scope of application

Hydraulic valve for a brake element as part of a protection against unintended downward car movement, type L10 ¾"

Maximum braking distance after triggering up to	900 mm
Maximum permissible distance: level position - triggering up to	250 mm
Permissible nominal speed up to	1.00 m/s
Permissible release speed up to	1.30 m/s
Permissible nominal flow	≤ 125 l/min
Nominal pressure range	10 - 100 bar
Viscosity range	20 - 450 cSt

2 Terms and Conditions

- 2.1 For identification and information about the principal design and operation and for demarcation of the examined and approved sample the approval drawing, no. L10-0.75" F KS a dated 2022-07-20 (page 1-2) with certification stamp of 2022-10-06 has to be enclosed to the EU-type examination certificate and its annex.
- 2.2 The above mentioned safety component represents only one part of the protective equipment against movements of the car in downward direction. Only in combination with a detection and triggering component (also two different components are possible), which must be subjected to an own EU-type examination according to the test procedure specified in EN 81-50:2020 (D), section 5.8, the created system can fulfil the requirements for a protection means in accordance with EN 81-20:2020 (D), section 5.6.7.
- 2.3 The installer must prepare test instructions in order to meet the overall concept of the elevator system, enclose these test instructions in the elevator documents and if necessary provide important tools or measuring devices which allow easy tests (e.g., when landing doors are closed).
- 2.4 Provided that the voltage drop on the coil has occurred within the distance of 250 mm as indicated in the scope of application it can be assumed that the requirements for braking distance and acceleration according to EN 81-20:2020, point 5.6.7.5 and 5.6.7.6 are met.
- 2.5 The Blain UCM-valve is an electrically operated check valve which can only be used in connection with an elevator valve as an additional safety valve for the prevention of unintended downward travel while a landing door is open according to EN 81-20:2020, section 5.6.7. The detection of emergency cases, the function of the brake in an upwards direction and the triggering of both brakes is the task of the control unit.
- 2.6 In order for it to function properly, the magnet of the Blain UCM-valve must be de-energized in accordance with the requirements of EN 81-20:2020, Section 5.6.6.5 at the latest when the car has moved a maximum of 250 mm from the flush position with the door open. Dead times of the electronic system must be considered.
- 2.7 The installer must be provided with written confirmation of the compliance of the component with the type tested part as well as of the guaranteed braking distances and accelerations.
- 2.8 The EU-type examination certificate may only be used in combination with the corresponding annex and enclosure (List of authorized manufacturer of the serial production). The enclosure will be updated immediately after any change by the certification holder.

**Annex to the EU-type examination Certificate
No. EU-UCM 005-2 of 2022-11-01**



Industrie Service

3 Remarks

3.1 This EU-type examination certificate was issued according to the following standards:

- EN 81-20:2020 (D), part 5.6.7
- EN 81-50:2020 (D), part 5.8

A revision of this EU-type examination certificate is inevitable in case of changes or additions of the above mentioned standards or of changes of state of the art.

3.2 In case that there is a risk of unintended car movement in the upward direction, appropriate measures must be taken by the installer.

3.3 The Certification Body LCC of the TÜV SÜD Industrie Service GmbH is a Certification Body accredited by DAkkS according to DIN EN ISO 17065. The accreditation is only valid for the scope of accreditation listed in the Annex of the certificate D-ZE-14153-03-02.

**Enclosure to the EU-type examination Certificate
No. EU-UCM 005-2 of 2022-11-01**



Industrie Service

Authorised Manufacturer of Serial Production – Production Sites (valid from: 2022-07-26):

Company	Blain Hydraulics GmbH
Address	Pfaffenstr. 1 74078 Heilbronn - Germany

- END OF DOCUMENT -

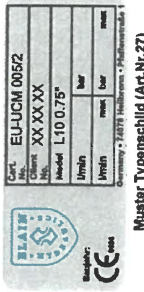
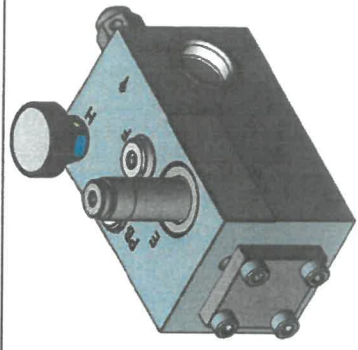
Based on: Application from Blain Hydraulics GmbH of 2022-07-26

Note: The English text is a translation of the German original. In case of any discrepancy, the German version is valid only.

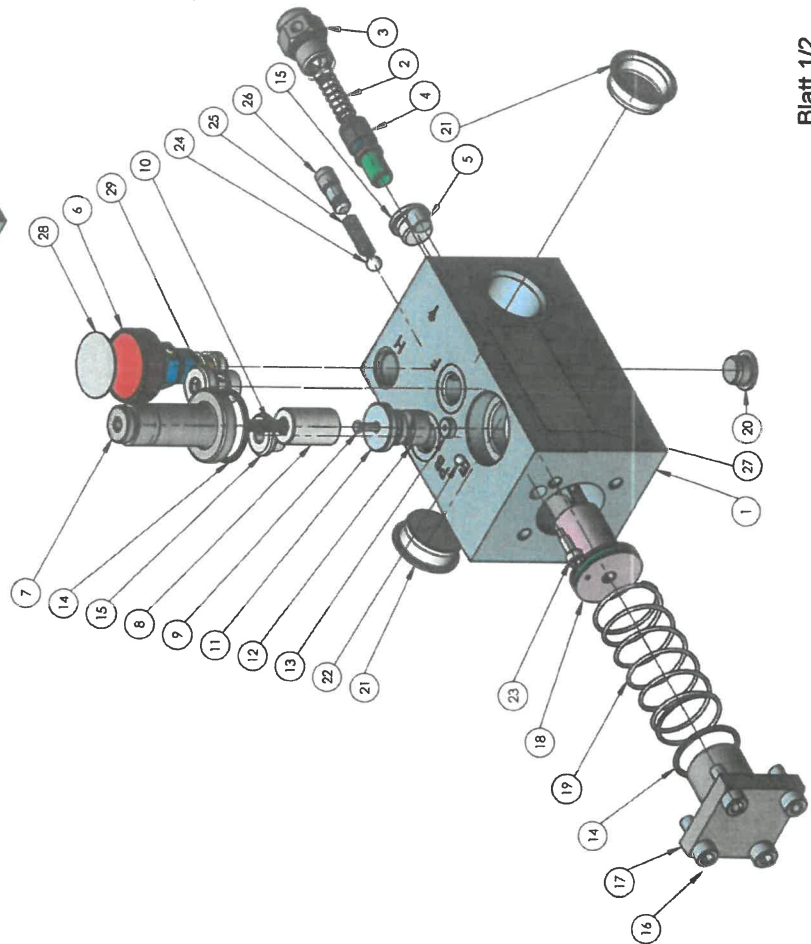
Nr.	Benennung	Zeichnungsnummer	Material	Artikelnummer	Stk.
1	Gehäuse L10 3/4" F mit KS	L 111 F KS	AlCuMgPb	500792	1
2	Feder	F 69	EN 10270-1 SH	100157	1
3	Überdruckschuttl Flansch Schraube 14 lang	Schraube 14 lang		102098	1
4	KV 0.5 Senkkolben 7	Senkkolben 7 (0.2)		103291	1
5	Verschlußschraube DIN906 M6x16 blauverzinkt	DIN906 M6x16 blauverzinkt	blauverzinkt	100067	1
6	Notablaß M14x1.5	Notablaß M14x1.5		102078	1
7	Magnetrohr AB	Magnetrohr AB		102042	1
8	Magnet-Kern	EV 135	1.0718 (11SMnPb30)	102482	1
9	Magnetnadel "ab"	EV 139	1.4305 (X8CrNiS18-9)	102521	1
10	Feder	F 65	EN 10270-1 SH	100152	1
11	Magnetsitzhalter	EV 133	3.1645 (EN AW-2007)	102470	1
12	Sieb Magnetsitzhalter "ab"	EV 133-1	Drahtgewebe	102471	1
13	Silzschleibe 2.0	EV 134 - 2.0	X12CrNiS188 Nr. 1.4305	102477	1
14	O-Ring 26x2 NBR 70	O-Ring 26x2 NBR	NBR	100226	2
15	Verschlußschraube G7x M6x16 schwarzverzinkt	EV 259	1.0718 (11SMnPb30)	102301	2
16	Zylinderchraube DIN912 M6x16 schwarzverzinkt	DIN912 M6x16 schwarzverzinkt	schwarzverzinkt	100089	4
17	Deckel L10 3/4"	L 121	AlCuMgPb	103411	1
18	L 10 Kolben 3/4"	L10-102		103452	1
19	Feder	F 81	Federstahl EN 10270-1 SH	100169	1
20	Gewindeschutstopfen 1/4"	Cena Art.-Nr.: 40121		103039	1
21	Gewindeschutstopfen 3/4"	Cena Art.-Nr.: 40251	LD-PE	103040	2
22	Stahlkugel	DIN5401-4	Kugelmateri, Glühklasse 3	100189	1
23	Kugelsicherungsschraube	L 145	DIN 912 - M4x14	103428	1
24	Stahlkugel	DIN5401-9	Kugelmateri, Glühklasse 3	100180	1
25	Feder	F 80	Federstahl EN 10270-1 SH	100168	1
26	Kolbensicherung	Drosselschraube Kolbensicherung		101986	1
27	Typenschild mit CE 0036	EV 148 CE 0036	Aluminium mit Kleber 3M 468	105716	1
28	Notablaßschild	EV 148 N	Aluminium mit Kleber 3M 468	102543	1
28	L 10 Filter für 0.75"	L 10 Filter für 0.75"		500950	1

0 6. OKT. 2022

GEPRÜFT / APPROVED
TÜV SÜD Industrie Service GmbH
ProfLaborium für Prüfung der Feinmechanik
Westsandstraße 193
80995 München
Sachverständigenamt



Muster Typenschild (Art.Nr.27)

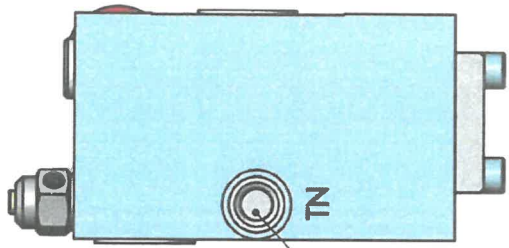


Dienstag, 27. September 2022 14:52:27 F:Paander

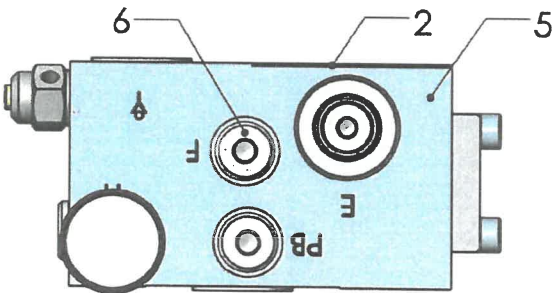
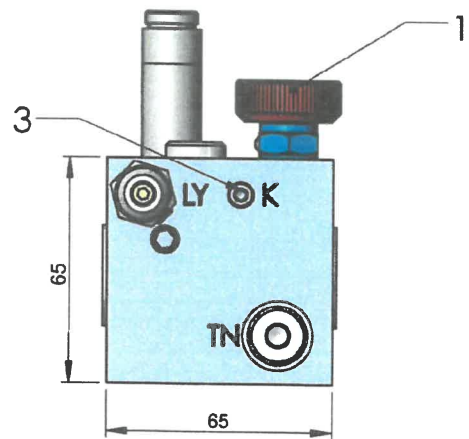
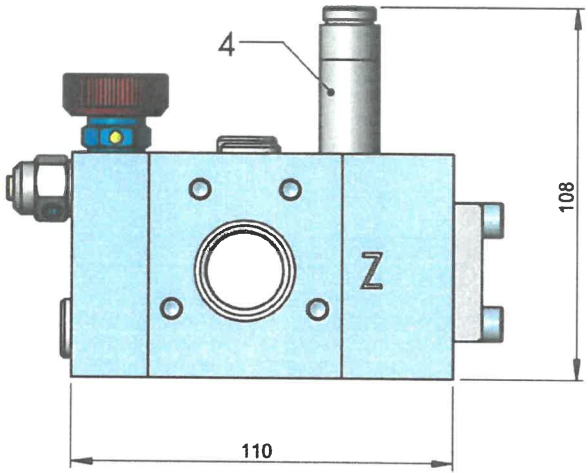
grafitec: Fremdbekannz DIN ISO 2768m

Werkstoff:	Name	Benennung:	Ungelöhren Gewicht in Gramm:
Röhremaße:	Datum	Drucksperventill 0.75" mit KS	103432
gezt:	20.07.2022	1:2	Art.-Nr.:
gepf.:	CQ		110 0.75" F KS α

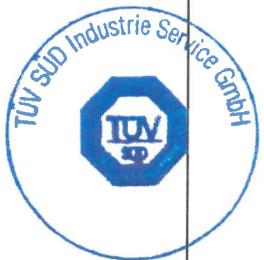
Blain Hydraulics GmbH | Paffenstrasse 1 | 74078 Heilbronn, Germany | Tel.: +49-7131-28210 Fax: +49-7131-282189
www.blain.de



Tankanschluß entweder 1/2" oder 3/8"



0 6. OKT. 2022
GEPRÜFT / APPROVE:
 TÜV SÜD Industrie Service GmbH
 Prüflaboratorium für Produkte der Fördertechnik
 Westendstraße 199
 80696 München
 Sachverständige(r) / Expert



Position	Benennung
1	Notablaß M14x1,5
2	Typenschild mit CE (EV-L10)
3	Kolbensicherung
4	Magnetrohr AB
5	Gehäuse L10F 3/4" mit KS BV
6	Filter



Cert. No. EU-UCM 005/2			
Client No. XX XX XX			
Model L10 0.75"			
l/min	bar		
l/min	max	bar	max

Germany • 74078 Heilbronn • Pfaffenstraße 1

Muster Typenschild (Art.Nr.2)

Blatt 2/2

C:\Blain\110\TÜV

Dienstag, 27. September 2022 14:54:27		F.Pausder		gratfrei ; Freimaßtoleranz: DIN ISO 2768m			Ungefähres Gewicht in Gramm :		
	Werkstoff:	Datum	Name	Maßstab	Benennung:	Art.-Nr.: 103432			
	Rohmaße:	gez	20.07.2022			CQ	1:2	Drucksperrventil 0.75" mit KS	Zeichnungs-Nr.:
		gepr.							L10 0.75" F KS α